

LiteSimo
利特西玛

YKK 系列 6KV 三相异步电动机 (H355~630)



陕西利特西玛电机科技有限公司

Shaanxi Lite Simo Electric Motor Technology Co., Ltd

YKK系列6KV三相异步电动机 (中心高355~630)

概述 Brief description

YKK系列6kV三相异步电动机(中心高355~630)为封闭笼型转子三相异步电动机。该三相异步电动机是按照JB/T10315.2-2002技术条件生产的。该电动机的防护等级为IP44或IP54,冷却方法为IC611。

本系列电动机具有高效、节能、噪音低、振动小、重量轻、性能可靠、安装维修方便等优点。

本系列电动机可作驱动各种不同机械之用。如通风机、压缩机、水泵、破碎机、切削机床及其它设备,并可供煤矿、机械工业、发电厂及各种工矿企业作原动机之用。

本系列电动机结构及安装型式为IMB3,额定是指以连续工作制(S1)为基础连续定额,电动机的额定频率为50Hz,额定电压为6kV,其它电压等级或特殊要求,在订货时可与用户共同商订。

YKK series (6kV) motor is of closed squirrelcage three phase asynchronous motor(center height from 355mm to 630mm),which complies with JB/T10315.2-2002. The protection degree of the motor is of IP44/IP54 and the cooling method is of IC611.

The motor has such advantage as high efficiency, energy saving, low noise, low vibration, light weight and reliable performance. They are easy for installation and maintenance.

This motor is used to drive various mechanical equipments such as blowers, compressors, pumps, crushers, stock removing machines. It can serve as the prime movers in coalmines, mechanical industries, power plants and various industrial enterprises.

The structure and the mounting type is of IMB3 with continuous duty(S1).The rated frequency is 50Hz and the rated voltage is 6000V,other voltage requirements or special requirements should be negotiate with the manufacturer before order is placed.

型号含义 The meaning of type



技术数据见表一

Technical Data see Appendix 1

外形安装尺寸见表2

Mounting and Contour Dimensions see Appendix 2

定货须知 (用户订货时须注明如下要求)

When ordering, the following requirement should be specified

- | | |
|----------------------------------|-----------------------------------|
| ◎电机型号: (YKK3551-4) | Frame size such as: (YKK3551-4) |
| ◎额定功率: (220kW) | Rated power: (220kW) |
| ◎额定电压: (6000V) | Rated Voltage: (6000V) |
| ◎额定频率: (50Hz) | Rated Frequency: (50Hz) |
| ◎同步转速: (1500r/min) | Synchronous Speed: (1500r/min) |
| ◎安装方式: (IMB3) | Mounting Type: (IMB3) |
| ◎防护等级: (IP44或IP54) | Protection Degree: (IP44/IP54) |
| ◎冷却方式: (IC611) | Cooling Method: (IC611) |
| ◎绝缘等级: (F级) | Insulation Class: (Class F) |
| ◎环境条件: 海拔 (1000m) 环境温度 (40℃) | |

Ambient Conditions: altitude should not be over 1000 meters above sea level, the vary of ambient temperature should not exceed 40℃

注: 2、4极电机禁止用皮带轮传动; 其他极数若需皮带轮传动应与制造商协商。

Note: Belt driving is not allowed on the motor of 2 poles and 4 poles.

Belt driving applied on the motor of other poles, should be negotiated with manufacturer.



表1

型号 Type	额定功率 kW Rated Power	额定电流 A Rated Current	转速 r/min Speed	效率 % Efficiency	功率 因数 cos φ Power Factor	最大转矩 Max.torque 额定转矩 Rated torque	堵转转矩 Locked torque 额定转矩 Rated torque	堵转电流 Locked current 额定电流 Rated current	J(电机) Kg·m ² (Motor)	J(负载) kg·m ² (Load)	质量 kg Mass	加油周期 h Lubrication Time
YKK3551-2	220	26.9	2975	92.5	0.85	1.8	0.6	7.0	2.1	16	2160	500
YKK3552-2	250	30.6		92.6					2.3	18	2220	
YKK3553-2	280	34.2		92.8					2.5	20	2270	
YKK3554-2	315	38.3		93.1					2.8	22	2330	
YKK4003-2	355	42.5		93.4	0.86				3.7	24	2720	
YKK4004-2	400	47.8		93.7					4.2	27	2810	
YKK4005-2	450	53.6		94.0					4.7	30	2930	
YKK4006-2	500	59.4		94.3					5.0	33	2980	
YKK4502-2	560	66.4		94.4	0.87				5.5	36	4440	
YKK4503-2	630	73.7		94.6					6.0	39	4520	
YKK4504-2	710	82.9	94.7	8.3		43	4680					
YKK4505-2	800	93.3	94.8	8.9		51	4870					
YKK5001-2	900	104.8	2980	95.0	0.87	10.0	55	5270				
YKK5002-2	1000	116.3		95.1		11.2	57	5570				
YKK5003-2	1120	130.1		95.2		14.5	58	5870				
YKK5004-2	1250	145.1		95.3		15.7	67	6180				
YKK5601-2	1400	160.5		95.4		0.88	16.9	73	6570			
YKK5602-2	1600	183.2		95.5			18.8	80	6880			
YKK5603-2	1800	205.9		95.6			25.2	86	7210			
YKK6301-2	2000	228.5		95.7			26.6	92	7250			
YKK6302-2	2240	255.7		95.8		0.88	28.8	98	7560			
YKK6303-2	2500	285.1		95.9			37.6	105	7880			
YKK3551-4	185	22.6	92.8	0.85	3.5		77	1890				
YKK3552-4	200	24.4	92.9		3.6		87	1900				
YKK3553-4	220	26.8	93.0		3.8	96	1980					
YKK3554-4	250	30.4	93.1		4.3	107	2180					
YKK4002-4	280	33.6	1485	93.2	0.86	1.8	0.7	6.5	6.5	89	2550	1000
YKK4003-4	315	37.8		93.3					6.7	99	2650	
YKK4004-4	355	42.5		93.5					7.0	110	2700	
YKK4005-4	400	47.8		93.7					7.8	121	2710	
YKK4006-4	450	53.6		93.9					8.3	130	2770	
YKK4502-4	500	60		94.0					12.3	147	3430	
YKK4503-4	560	67		94.2					13.3	163	3520	
YKK4504-4	630	75		94.4					14.5	180	3880	
YKK4505-4	710	84		94.6					17	199	3860	
YKK5001-4	800	93.3		94.8					0.87	30	217	
YKK5002-4	900	104.9	94.9	32	238	5210						
YKK5003-4	1000	116.4	95.0	35	259	5520						

表1 (续)

型号 Type	额定功率 kW Rated Power	额定电流 A Rated Current	转速 r/min Speed	效率 % Efficiency	功率 因数 cos φ Power Factor	最大转矩 Max.torque 额定转矩 Rated torque	堵转转矩 Locked torque 额定转矩 Rated torque	堵转电流 Locked current 额定电流 Rated current	J(电机) Kg·m ² (Motor)	J(负载) kg·m ² (Load)	质量 kg Mass	加油周期 h Lubrication Time
YKK5004-4	1120	130.3	1485	95.1	0.87	1.8	0.7	6.5	38	284	5670	1000
YKK5601-4	1250	143.6		95.2					66	315	6890	
YKK5602-4	1400	160.6		95.3					70	345	7040	
YKK5603-4	1600	183.4		95.4					77	373	7340	
YKK6301-4	1800	206.1		95.5					96	405	8610	
YKK6302-4	2000	228.8		95.6					99	437	8960	
YKK6303-4	2240	255.9		95.7					114	473	9360	
YKK4001-6	185	23.5	990	92.4	0.82	1.8	0.7	6.0	8.8	243	2360	2000
YKK4002-6	200	25.3		92.6					9.6	250	2390	
YKK4003-6	220	27.8		92.8					10.5	261	2440	
YKK4004-6	250	31.5		93.0					11.5	290	2470	
YKK4005-6	280	35.2		93.3					12.3	323	2620	
YKK4006-6	315	39.5		93.5					13.3	360	2730	
YKK4502-6	355	44		93.7					13.3	323	3540	
YKK4503-6	400	49		93.8	14.5	360	3730					
YKK4504-6	450	55		94.1	17.8	400	3860					
YKK4505-6	500	62		94.3	19	439	4000					
YKK5001-6	560	68.0		94.4	39	598	4660					
YKK5002-6	630	76.4		94.5	43	664	4780					
YKK5003-6	710	85.8		94.8	50	735	4890					
YKK5004-6	800	96.6		94.9	54	804	5080					
YKK5601-6	900	107.3		95.0	99	737	6880					
YKK5602-6	1000	119		95.1	108	797	7130					
YKK5603-6	1120	133.2		95.2	122	875	7480					
YKK6301-6	1250	146.8	95.3	137	954	8420						
YKK6302-6	1400	164.2	95.4	153	1050	8800						
YKK6303-6	1600	187.5	95.5	170	1140	9080						
YKK4004-8	185	24.7	740	92.5	0.78	1.8	0.8	5.5	12.3	420	2520	
YKK4005-8	200	26.6		92.7					13.3	423	2600	
YKK4006-8	220	29.2		92.9					14.5	476	2690	
YKK4502-8	250	33		93.0	19				528	3460		
YKK4503-8	280	37		93.2	20.8				588	3570		
YKK4504-8	315	41		93.4	22.5				655	3690		
YKK4505-8	355	46		93.5	24.3				730	3800		
YKK5001-8	400	51.3		93.7	36.3				812	4420		
YKK5002-8	450	57.7		93.8	42.8				893	4580		
YKK5003-8	500	63.8		94.2	46.3				988	4830		
YKK5004-8	560	71.4		94.4	53.5				1100	4970		

表1 (续)

型号 Type	额定功率 kW Rated Power	额定电流 A Rated Current	转速 r/min Speed	效率 % Efficiency	功率 因数 cos φ Power Factor	最大转矩 Max.torque 额定转矩 Rated torque	堵转转矩 Locked torque 额定转矩 Rated torque	堵转电流 Locked current 额定电流 Rated current	J(电机) Kg·m ² (Motor)	J(负载) kg·m ² (Load)	质量 kg Mass	加油周期 h Lubrication Time
YKK5601-8	630	78.2	740	94.5	0.82	1.8	0.8	6.0	113	1360	6160	2000
YKK5602-8	710	88.1		94.6								
YKK5603-8	800	99.1		94.7								
YKK6301-8	900	108.8		94.8	0.84							
YKK6302-8	1000	120.7		94.9								
YKK6303-8	1120	135.1		95.0								
YKK6304-8	1250	150.6		95.1								
YKK4501-10	185	26	590	91.7	0.75	1.8	0.8	5.5	25.5	710	3400	3000
YKK4502-10	200	28		91.9								
YKK4503-10	220	31		92.1								
YKK4504-10	250	35		92.3								
YKK4505-10	280	39		92.5								
YKK5001-10	315	43		92.8	0.76							
YKK5002-10	355	48.3		93.0								
YKK5003-10	400	54.3		93.3								
YKK5004-10	450	61		93.4								
YKK5601-10	500	65.9		93.6	0.78							
YKK5602-10	560	73.7		93.7								
YKK5603-10	630	82.9		93.8								
YKK5604-10	710	93.2		94.0								
YKK6301-10	800	102.1		94.2	0.80							
YKK6302-10	900	114.8		94.3								
YKK6303-10	1000	127.4		94.4								
YKK6304-10	1120	142.4	94.6									
YKK4504-12	185	28	495	91.8	0.70	1.8	0.7	6.0	32	1100	3530	
YKK4505-12	200	30		92.0								
YKK5001-12	220	31.9		92.2	0.72							
YKK5002-12	250	36.1		92.5								
YKK5003-12	280	40.4		92.7								
YKK5004-12	315	45.4		92.8								
YKK5601-12	355	49.6		93.0	0.74							
YKK5602-12	400	55.7		93.3								
YKK5603-12	450	62.7		93.4								
YKK5604-12	500	69.4		93.7								
YKK6301-12	560	75.6		93.8	0.76							
YKK6302-12	630	84.9		93.9								
YKK6303-12	710	95.6		94.0								
YKK6304-12	800	107.5		94.2								

注：表中电机质量为理论计算质量，与实际质量有一定差异。

YKK系列6KV三相异步电动机（机座号355-630）外形图

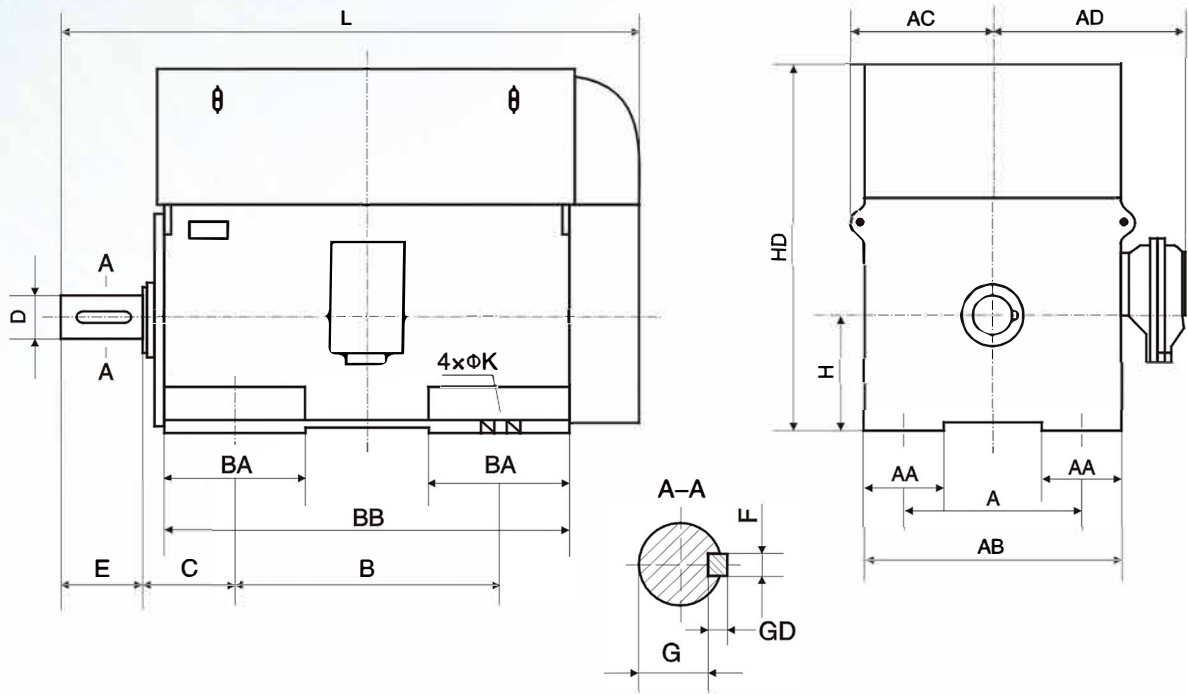


图1 YKK355~450

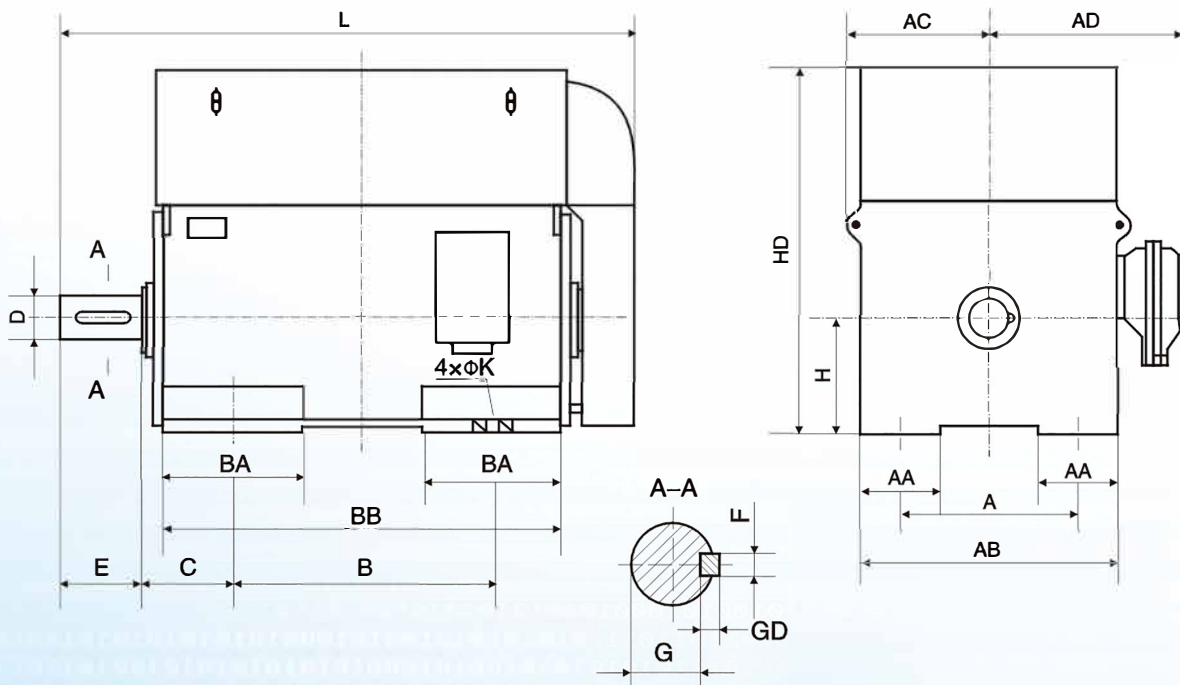


图2 YKK500~630

表2

机座号 Frame Size	极数 Pole	安装尺寸 Mounting Dimension(mm)										外形尺寸 Contour Dimension(mm)							
		A	B	C	D	E	F	G	H	K	GD	AA	AB	BA	BB	AC	AD	HD	L
YKK335	2	630	900	315	80	170	22	71	355	28	14	254	808	471	1442	510	700	1250	1915
	4~6				100	210	28	90			16	250	800	415	1340			1220	1845
YKK400	2	710	1000	375	90	170	25	81	400	35	14	280	910	563	1626	560	750	1445	2100
	4~8			335	110	210	28	100			16	275	900	500	1510 (1420)			1365	2090
YKK450	2	800	1120	400	100	210	28	90	450	35	16	305	1012	640	1860	610	800	1900	2725
	4			355	120		32	109			18	305	1000	505	1520 (1660)				2260
	6~12			130	250	119		20			325	1120	650	1820 (1760)	2300				
YKK500	2	900	1250	560	110	210	28	100	500	42	16	335	1120	725	1960	670	860	1900	2800
	4			475	130	250	32	119			18	325	1120	650	1820 (1760)			1780	2470
	6~12				140		36	128			20								
YKK560	2	1000	1400	560	130	250	32	119	560	42	18	390	1260	793	2106	730	930	2290	2980
	4			500	150		36	138			20	270	1260	700 (770)	2106 (1966)			2190	2920
	6~12				160	300		40			147								
YKK630	2	1120	1600	560	140	250	36	128	630	48	20	245	1350	800	2235	790	980	2520	3230
	4			530	170	300	40	157			22							2500	3030
	6~12				180		45	165			25								

注：1、YKK450-630-2电机为滑动轴承； 2、2极转向一般为顺时针，若需逆时针时应注明； 3、外形安装尺寸仅供参考，订货时以厂家正式外形图为准。



西玛电机厂内景及部分设备



陕西利特西玛电机科技有限公司

电话：029-82513923

传真：029-82553722

邮箱：sales@chinasimo.com

中文网址：www.chinasimo.com

英文网址：www.motorsimo.com

地址：陕西省西安市未央区明光路 159 号